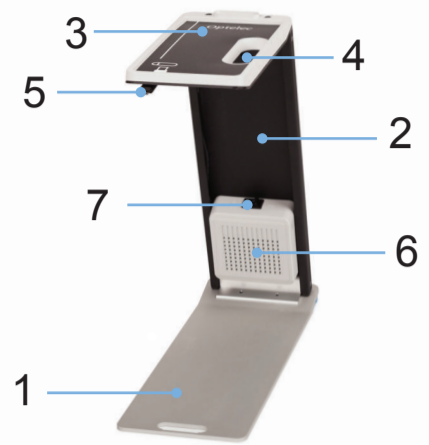


Compact 6 HD Speech Dock

Introduction

With the foldable Compact 6 HD Speech Dock accessory, you can comfortably make a snapshot of a full page, and the Compact 6 HD Speech will read the text to you.

- | | |
|----------------------------------|--------------------------|
| 1. Bottom Plate | 5. USB Connection |
| 2. Back Stand | 6. Speaker |
| 3. Docking Platform | 7. Speaker On/Off Button |
| 4. Cut-out for camera and lights | |



Unfolding the Speech Dock



Hold the Back Stand and Docking Platform with one hand, and the Bottom Plate with your other hand.



Lift and unfold the Back Stand until it comes in an upright position, then slide it down to lock into place.



Bring the Docking Platform upward to a horizontal position.



Gently push it down into the Back Stand to secure.

Folding the Speech Dock



Gently lift the Docking Platform about 1 cm to unlock.



Guide the Docking Platform into a vertical position.



Hold the Docking Platform and Back Stand in one hand and gently lift them about 1 cm to unlock.



Guide them down while holding the Docking Platform against the Back Stand so it forms a compact package.

Using the Compact 6 HD with the Speech Dock



Place the Speech Dock in front of you with the Back Stand facing backwards.



Place the Compact 6 HD Speech on the top with the screen facing up.



The Compact 6 HD Speech is placed correctly when the camera and lights are aligned with the cut-out in the top.



The white Scan Button and USB Connector should be facing towards you.

Positioning documents



To correctly place a document, make sure it is in portrait orientation.

Align the bottom left corner of the document with the bottom left corner of the Bottom Plate.

The document should lay flat on the Bottom Plate, and should not be placed on the part of the Bottom Plate that's angling upward.

When placed correctly, the Compact 6 HD Speech can capture a full page in portrait orientation.

Connecting the cables



Insert the USB Cable at the Docking Platform into the Compact 6 HD Speech USB port to charge the Compact 6 HD Speech and to connect the speaker.



Insert the Compact 6 HD USB charger at the Back Stand into the USB charging Connection.

Charging and Audio

When the Speaker Button is switched on and the Audio Cable is connected, the audio is turned on and sound will come from the Speaker.

When the Speaker is switched off, the Compact 6 HD Speech will charge.

The Compact 6 HD Speech does not charge when the speaker is on.

Cautions

Optelec is not responsible for any uses of this device other than those described in this manual. Keep this user manual for future reference.

- Only use a soft cleaning cloth to clean the Speech Dock.
- Avoid aggressive cleaning and aggressive cleaning agents.
- Do not place the Speech Dock on an unstable or even surface.
- Do not use or store the Speech Dock in humid or hot environments.
- Do not use or store the Speech Dock below 0° or above 40°.
- Do not expose the Speech Dock to excessive heat or direct sunlight.
- Do not use the Speech Dock in water.
- Avoid contact with corrosive liquids.
- Avoid shocks and do not throw or drop the Speech Dock.
- Use the Compact 6 HD charger only to power the Speech Dock.

Risks and side effects: None known

Specifications

- Foldable design – for compact storage/carrying
- Dimensions when folded: 375 x 124 x 44 mm / 14.8 x 4.9 x 1.7 inches
- Dimensions when unfolded: 370 x 124 x 365 mm / 14.6 x 4.9 x 14.4 inches
- Weight: 1.28 kg / 45.2 ounces